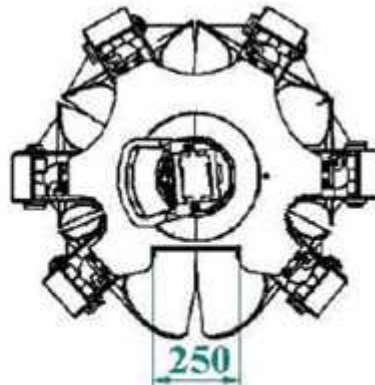
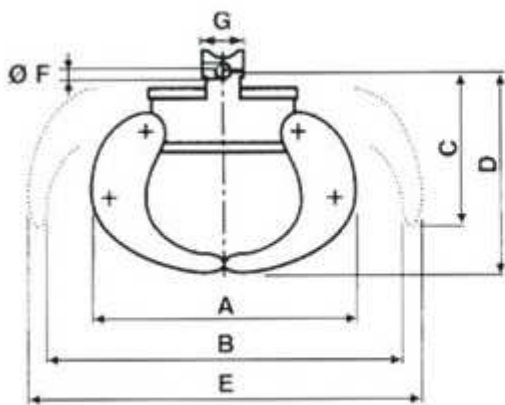


Polyp grab for scrap and waste



Polyp grab for waste, scrap and different materials, suitable for industrial vehicles

TECHNICAL DATA



POLY 300/6 Z - I

MODEL	N° Teeth	L	weight kg.	MAX bar	A mm	B mm	C mm	D mm	E mm	Ø FxG
POLY 80/4 - I	4	90	81	200	650	1010	430	580	1090	25x30
POLY 95/4 - I	4	110	105	250	730	1130	480	650	1230	25x30
POLY 110/5 - I	5	110	118	250	730	1130	480	650	1230	25x30
POLY 125/4 - I	4	160	230	250	900	1300	550	750	1400	30x60
POLY 140/5 - I	5	160	265	250	900	1300	550	750	1400	30x60
POLY 170/4 - I	4	205	250	250	920	1560	600	890	1650	30x60
POLY 210/5 - I	5	205	275	250	920	1560	600	890	1650	30x60
POLY 260/5 - I	5*	270	350	250	1000	1490	650	900	1640	32x80
POLY 290/6 - I	6*	270	390	250	1000	1490	650	900	1640	32x80
POLY 300/4 - I	4	325	375	250	1120	1630	680	930	1760	32x80
POLY 300/5 - I	5	325	415	250	1120	1630	680	930	1760	32x80
POLY 350/6 - I	6*	325	460	250	1120	1630	680	930	1760	32x80
POLY 400/5 - I	5	400	450	250	1240	1780	760	970	1940	32x80
POLY 400/6 - I	6*	400	520	250	1240	1780	760	970	1940	32x80
POLY 300/6 Z** - I	6*	300	425	250	1070	1580	670	870	1710	32x80

* Available con hatdox bits

** Special asymmetric model for truck loader

