

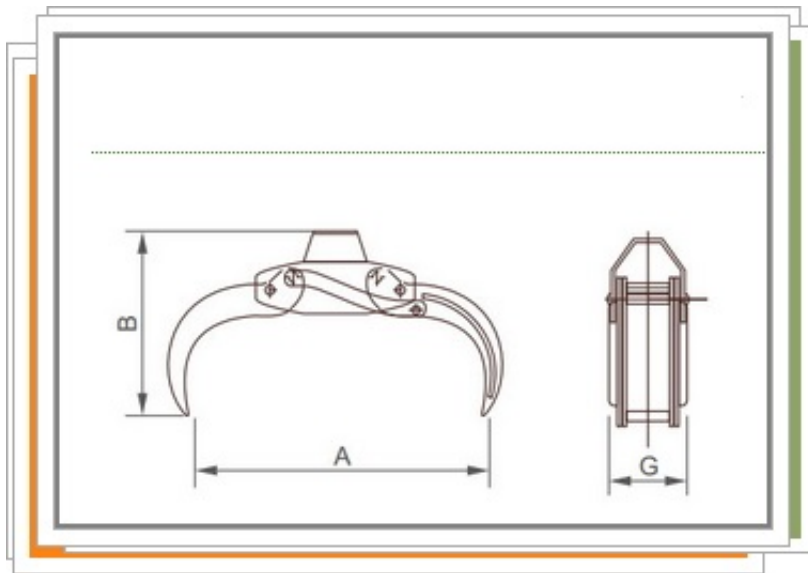
Grapple excavator demolition



GRAB ACCESSORIES

- [ACCESSORIES Grab - Rock grab - Clamshell buckets](#)
- [Rotator](#)

TECHNICAL DATA FOR REFERENCE PURPOSES



MODEL RF	Weight kg	Lift Kg	lift horizontal position	MAX BAR	A mm	B mm	G mm
TP920RFP	190	1800	900 KG	250	920	740	340